



NORTEL



Enterprise Deployment Guide

Always-on networking

Converged networking

We secure and protect the world's most critical information.

As competition grows for customers in the marketplace, enterprises are relying on technology to help them differentiate their business. Network resiliency, security of data and application-driven performance are the mainstays of a network built to provide services and applications.

At Nortel, we provide the four elements to our customers for a converged networking solution. This Enterprise Deployment Guide demonstrates how our products fit together to meet the needs of you and your business.

The four elements of our networking solution are:

- > **Resiliency** — Voice calls stay connected, applications remain enabled and streaming media continues to flow even under link, switch and/or site failures by using Nortel's switch clustering solution using Split Multi-Link Trunking and intelligent stacking technologies.
- > **Scalability** — IPv6, Multicast, high-density ports and software functionality future-proof your network today given tomorrow's requirements.
- > **Security** — Nortel provides a secure network with encrypted SSL and IPSec VPNs. A trusted network is enabled by IPFIX and the Service Delivery Module with Threat Protection System and Firewall. Nortel Secure Nortel Access is Nortel's Network Access Control solution design to inspect, assess, ensure compliance to policy, and remediate at the network endpoint source prior to network access.
- > **Total Cost of Ownership (TCO)** — Nortel's converged solutions are designed to reduce TCO by providing competitive reduced capital and operational expenditures.



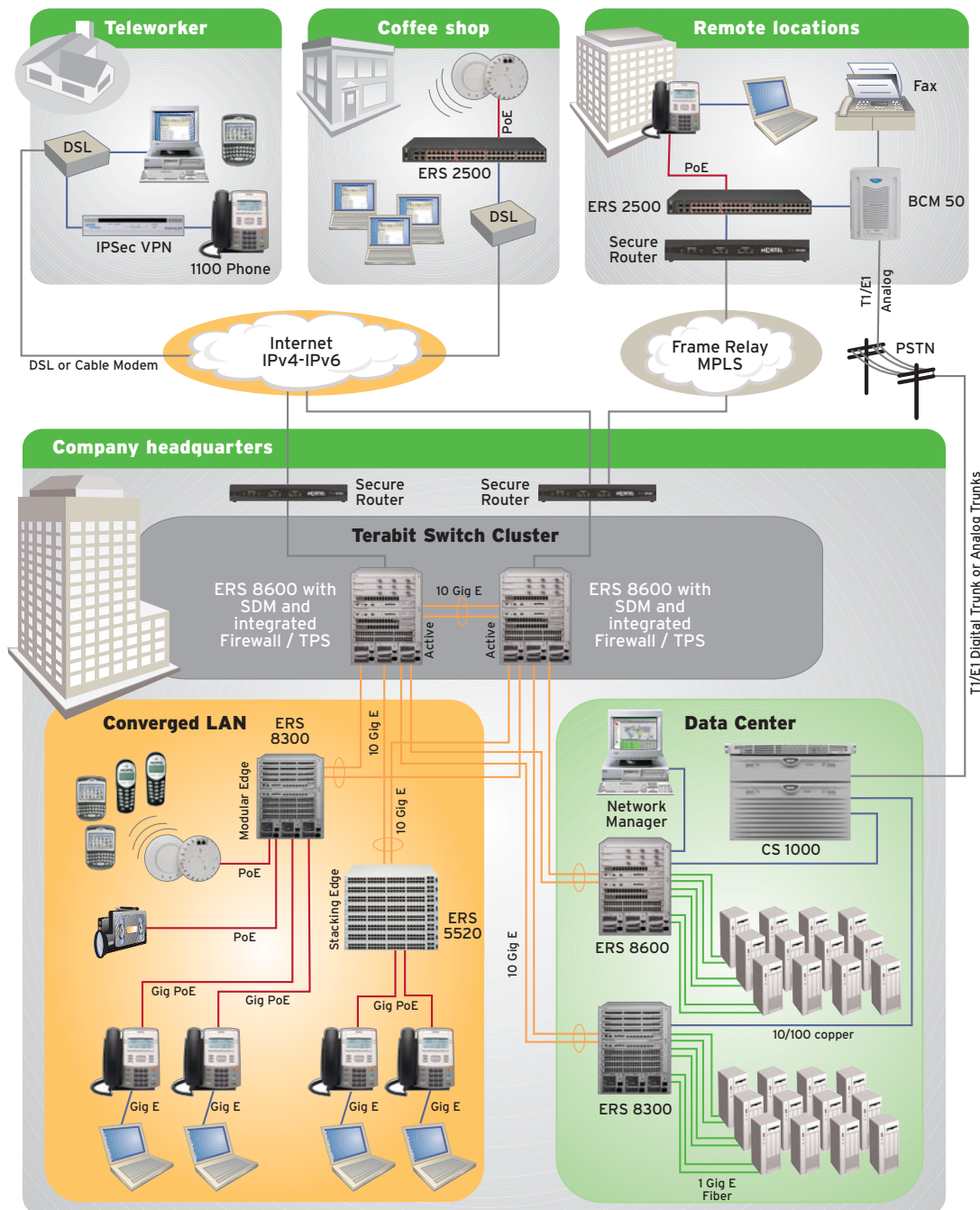
Large Core: Ethernet Routing Switch 8600

Edge: Ethernet Routing Switch 8300 and 5500

Resilient Terabit Switch Cluster

Key product features

- > Resilient Terabit clustering using Split Multi-Link Trunking (SMLT) with sub 100ms resiliency while running wire rate 1 and 10 Gigabit Ethernet
- > SourceFire's Snort-based Threat Protection System (TPS) for signature-based attack identification; CheckPoint's Firewall for data session integrity monitoring
- > Wire-speed IPv6 and IP Flow Information eXport (IETF RFC 3917 IPFIX)



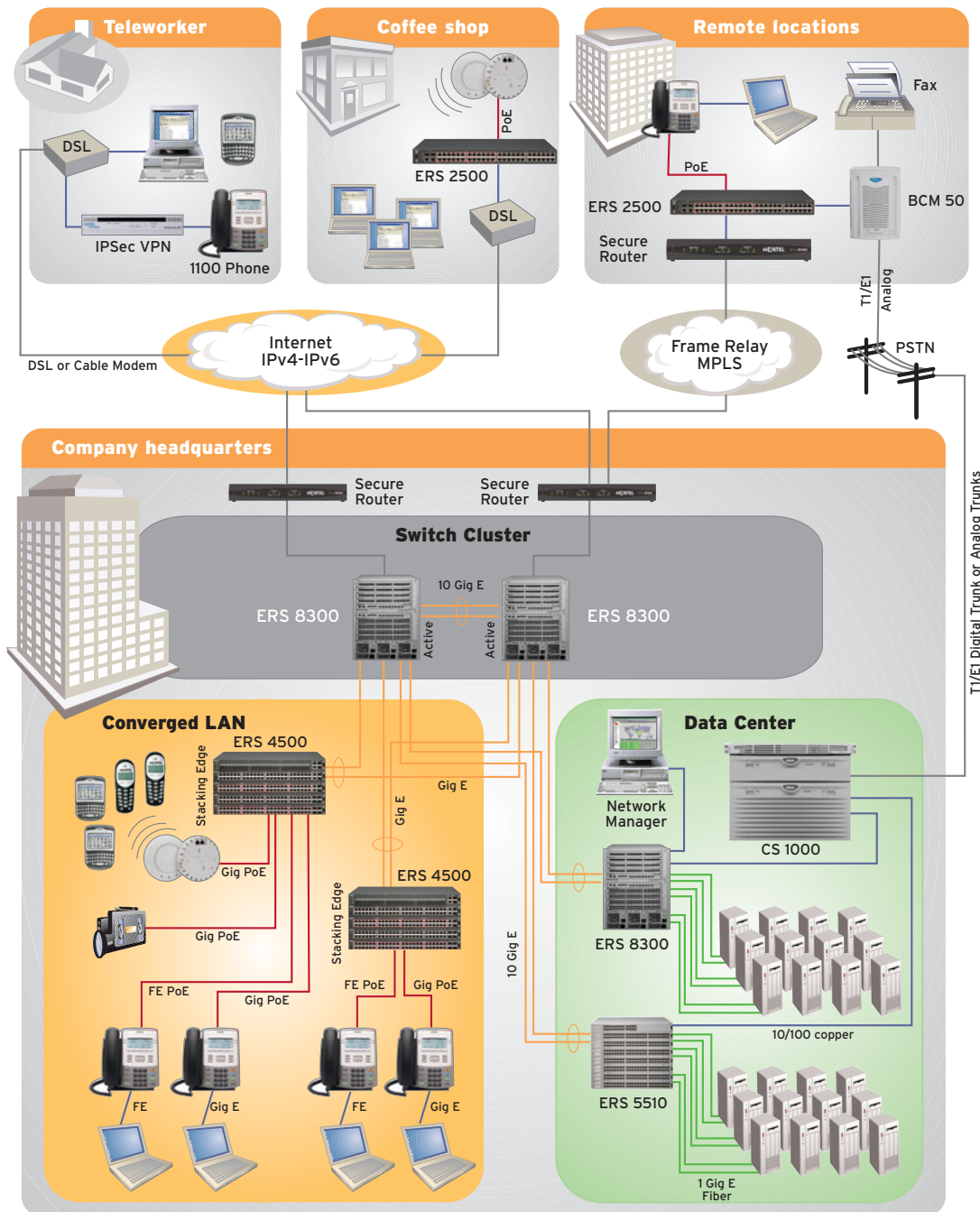
Medium Core: Ethernet Routing Switch 8300

Edge: Ethernet Routing Switch 4500

Resilient Switch Cluster

Key product features

- > Resilient switch clustering using SMLT, Open Shortest Path First (OSPF) and Virtual Router Redundancy Protocol (VRRP) for medium core networking available in an Advanced Routing License
- > High density Gigabit Power over Ethernet (PoE IEEE 802.3af) in a modular design for converged networking
- > Nortel Secure Network Access (NSNA) supported for building a secure converged network with host integrity



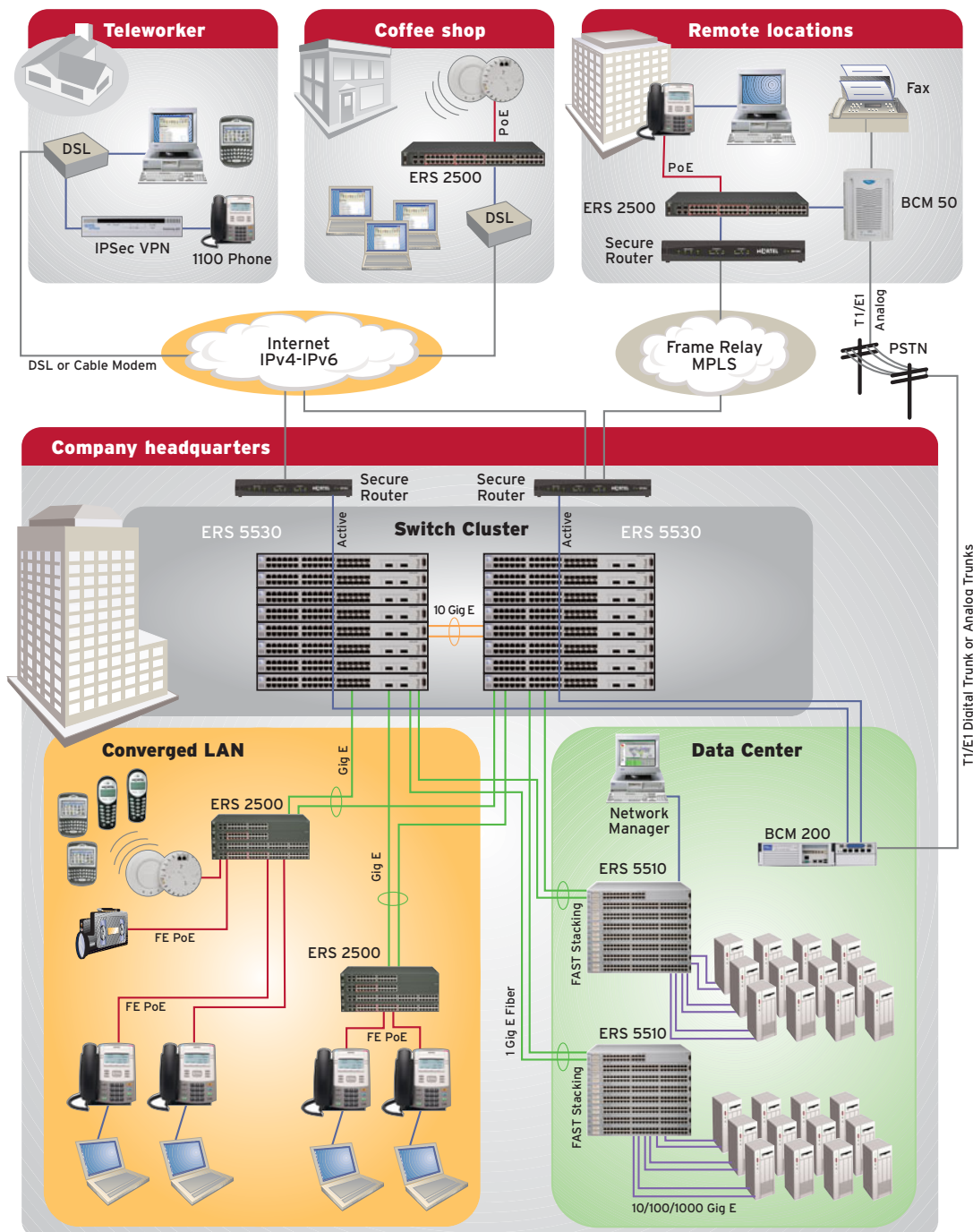
Small Core: Ethernet Routing Switch 5500

Edge: Ethernet Routing Switch 2500

Secure Switch Cluster

Key product features

- > Resilient switch clustering using SMLT, Open Shortest Path First (OSPF) and Virtual Router Redundancy Protocol (VRRP) for small core networking available in an Advanced Routing License
- > High-density Gigabit and Gigabit Power over Ethernet (PoE IEEE 802.3af) for converged networking
- > IP Flow Information eXport (IPFIX) to benchmark your network's traffic and anomalies (day zero attacks)



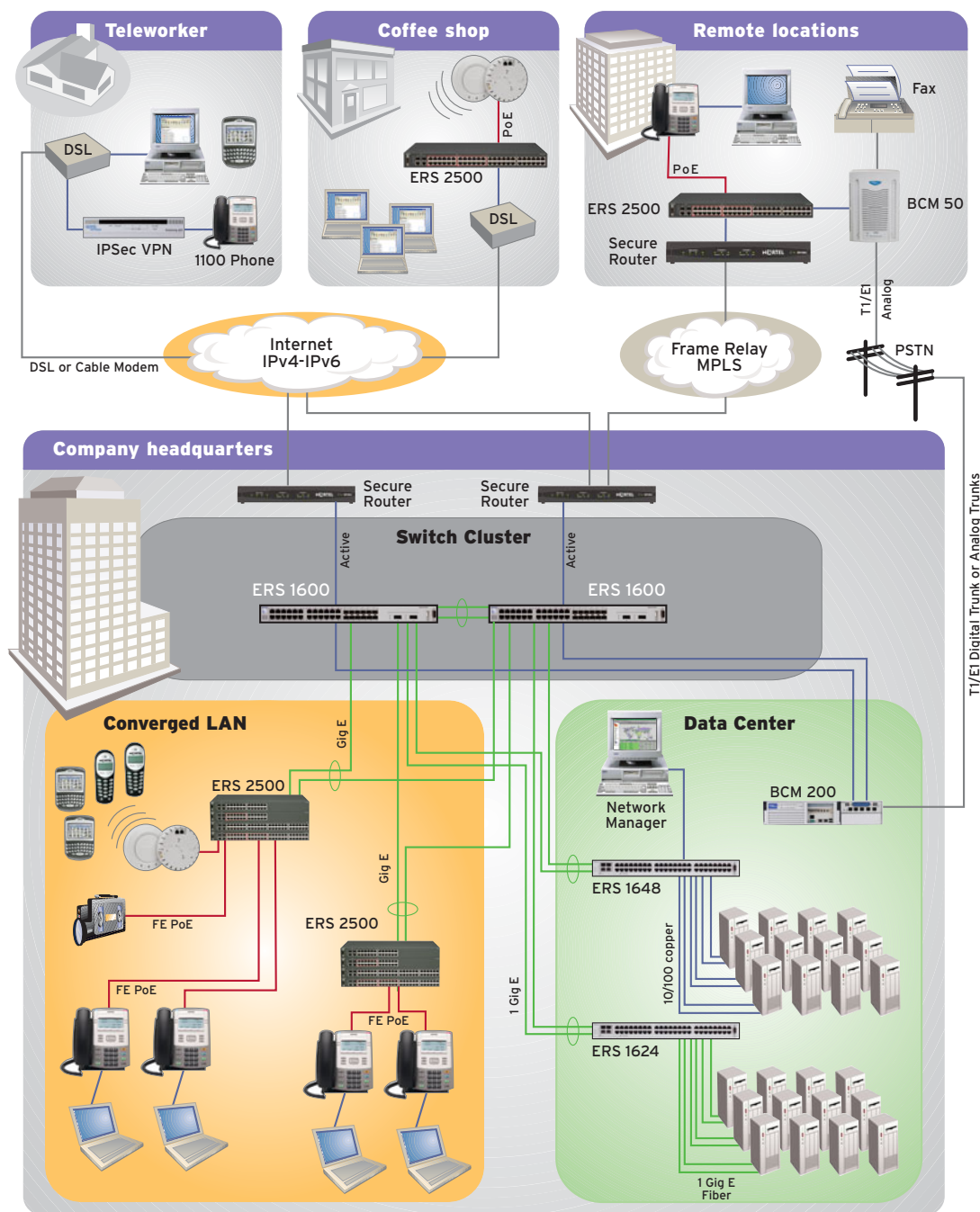
Small Core: Ethernet Routing Switch 1600

Edge: Ethernet Routing Switch 2500

Scalable Switch Cluster

Key product features

- > Resilient switch clustering using SMLT, Open Shortest Path First (OSPF) and Virtual Router Redundancy Protocol (VRRP) for small core networking
- > Wire-speed routing, Quality of Service (QoS) and Multicast
- > Supports Simple Network Management Protocol (SNMPv3) and Secure Shell (SSHv2)



Always-on networking



The products. The company. The facts.

- > A complete end-to-end portfolio gives our customers and partners choices for specifying a network design. Given our product's availability and time-tested installations, we also have the expertise to implement complex centralized headquarters/data center designs as well as decentralized large-scale deployments.
- > Showcasing the four elements is easy; having the relevancy is the hard part. Nortel has done both. The below facts demonstrate Nortel's success as a company and in the marketplace.

Nortel achievements

- > Top 50 company ranking for number of U.S. patents
- > 5,500+ patents globally
- > 50+ advanced research projects with 20 major universities
- > 1/3 of our employee base is dedicated to R&D

We have shipped:

- > 72,000,000 Ethernet ports
- > 2,500,000 Ethernet switches
- > 5,000,000 Power over Ethernet ports
- > 60,000,000 VPN clients
- > 100,000 VPN Routers
- > 44,000 Ethernet Routing Switches
- > 45,000 Application Switches

In the United States:

Nortel
35 Davis Drive
Research Triangle Park, NC 27709 USA

In Canada:

Nortel
195 The West Mall
Toronto, Ontario M9C 5K1 Canada

In Caribbean and Latin America:

Nortel
1500 Concorde Terrace
Sunrise, FL 33323 USA

In Europe:

Nortel
Maidenhead Office Park, Westacott Way
Maidenhead Berkshire SL6 3QH UK
Phone: 00 800 8008 9009

In Asia:

Nortel
United Square
101 Thomson Road
Singapore 307591
Phone: (65) 6287 2877

Nortel is a recognized leader in delivering communications capabilities that make the promise of Business Made Simple a reality for our customers. Our next-generation technologies, for both service provider and enterprise networks, support multimedia and business-critical applications. Nortel's technologies are designed to help eliminate today's barriers to efficiency, speed and performance by simplifying networks and connecting people to the information they need, when they need it. Nortel does business in more than 150 countries around the world. For more information, visit Nortel on the Web at www.nortel.com. For the latest Nortel news, visit www.nortel.com/news.

For more information, contact your Nortel representative, or call 1-800-4 NORTEL or 1-800-466-7835 from anywhere in North America.

Nortel, the Nortel logo, Nortel Business Made Simple and the Globemark are trademarks of Nortel Networks. All other trademarks are the property of their owners.

Copyright © 2007 Nortel Networks. All rights reserved. Information in this document is subject to change without notice. Nortel assumes no responsibility for any errors that may appear in this document.

NN118082-121707



BUSINESS MADE SIMPLE